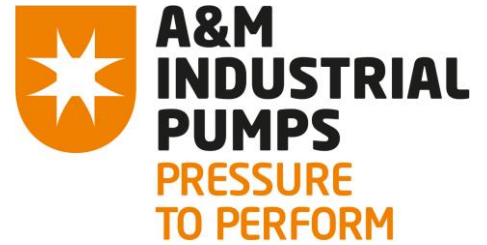


WILDEN PUMP T2

1" METAL



MAX FLOW RATE: 132 LPM (35 GPM)
MAX PRESSURE: 8.6 BAR (125 PSI)
MAX SUCTION LIFT CAPABILITY:
 5.18 m (17') Dry, 9.45 m (31') Wet
MAX DIAMETER SOLIDS:
 3 mm (1/8")

WETTED HOUSINGS

Material	Ship Wt
Aluminum	12 kg (26 lbs)

NON-WETTED HOUSINGS

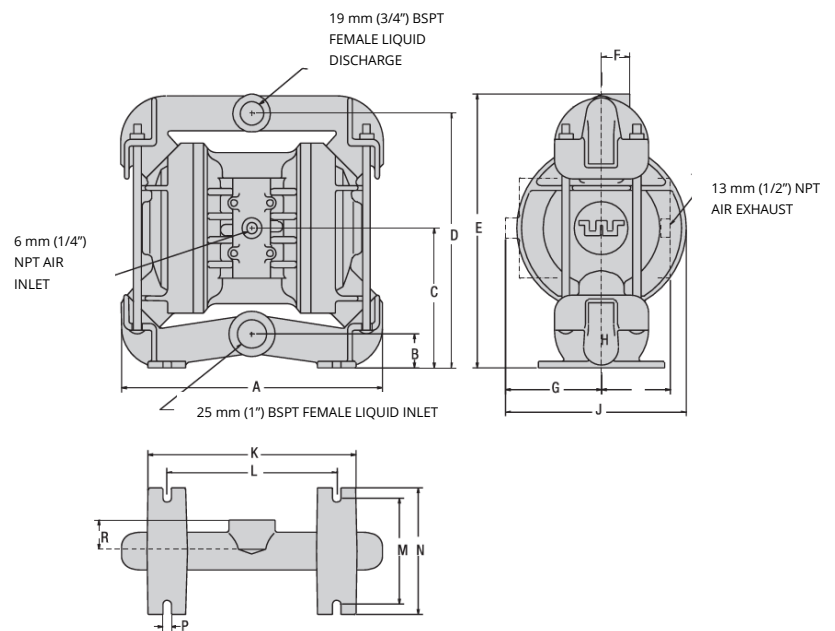
Description	Material
Center Section	Aluminum
Air Valve	Brass

ELASTOMER OPTIONS

Buna-N®	-12.2 (+10) to +82.2 (+180) °C (F°)
Neoprene	-17.8 (+0) to +93.3 (+200) °C (F°)
EPDM™	-51.1 (-60) to +137.8 (+280) °C (F°)
Polyurethane	-12.2 (+10) to +65.6 (+150) °C (F°)
Saniflex™	-28.9 (+20) to +104.4 (+220) °C (F°)
PTFE	+4.4 (+40) to +104.4 (+220) °C (F°)
Viton®	-40 (-40) to +176.7 (+350) °C (F°)
Wil-Flex™	-40 (-40) to +107.2 (+225) °C (F°)
Geolast®	-40 (-40) to +82 (+180) °C (F°)

DIMENSIONS

ITEM	METRIC (mm)	STANDARD (inch)
A	267	10.5
B	36	1.4
C	137	5.4
D	254	10.0
E	279	11.0
F	28	1.1
G	97	3.8
H	76	3.0
J	185	7.3
K	211	8.3
L	173	6.8
M	107	4.2
N	127	5.0
P	8	0.3
R	33	1.3



A&M INDUSTRIAL PUMPS NV/SA

DONKSESTEENWEG 8
 B-2930 BRASSCHAAT
 BELGIUM

PHONE

+32 (0)3 777 46 45

BTW

BE 0455.580.690

IBAN

BE73 4086 0477 5160

HRC

D-55255

INTERNET

WWW.AM-PUMPS.COM

E-MAIL

INFO@AM-PUMPS.COM