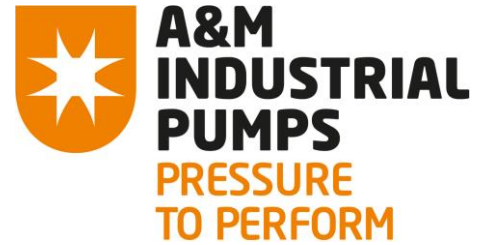


WILDEN PUMP P.025

1/4" PLASTIC



MAX FLOW RATE: 18.1 LPM (4.8 GPM)

MAX PRESSURE: 8.6 BAR (125 PSI)

MAX SUCTION LIFT CAPABILITY:

3.05 m (10.0') Dry, 8.84 m (28') Wet

MAX DIAMETER SOLIDS:

0.4 mm (1/64")

WETTED HOUSINGS

Material	Ship Wt
Polypropylene	1.4 kg (3 lbs)
PVDF	1.4 kg (3 lbs)

NON-WETTED HOUSINGS

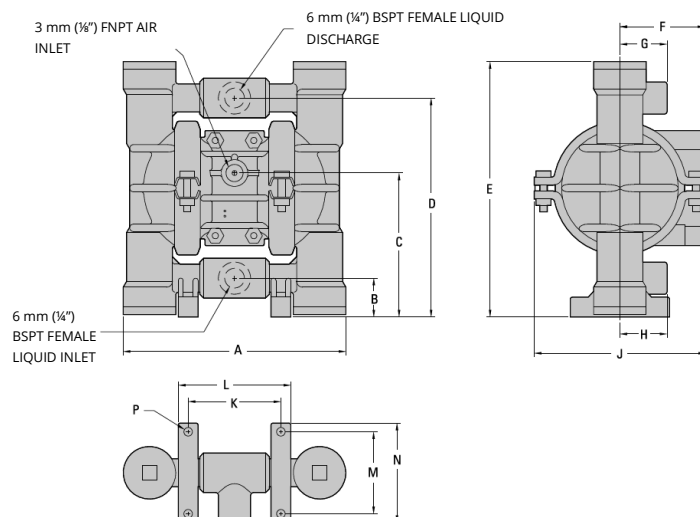
Description	Material
Center Section	Polypropylene
Air Valve	Polypropylene

ELASTOMER OPTIONS

Buna-N®	-12.2 (+10) to +82.2 (+180) °C (F°)
Neoprene	-17.8 (+0) to +93.3 (+200) °C (F°)
EPDM™	-51.1 (-60) to +137.8 (+280) °C (F°)
Polyurethane	-12.2 (+10) to +65.6 (+150) °C (F°)
Saniflex™	-28.9 (+20) to +104.4 (+220) °C (F°)
PTFE	+4.4 (+40) to +104.4 (+220) °C (F°)
Viton®	-40 (-40) to +176.7 (+350) °C (F°)
Wil-Flex™	-40 (-40) to +107.2 (+225) °C (F°)
Geolast®	-40 (-40) to +82 (+180) °C (F°)

DIMENSIONS

ITEM	METRIC (mm)	STANDARD (inch)
A	145	5.7
B	25	1.0
C	94	3.7
D	140	5.5
E	163	6.4
F	56	2.2
G	30	1.2
H	30	1.2
J	114	4.5
K	61	2.4
L	74	2.9
M	53	2.1
N	64	2.5
P	05	0.2



A&M INDUSTRIAL PUMPS NV/SA

DONKSESTEENWEG 8
B-2930 BRASSCHAAT
BELGIUM

PHONE

+32 (0)3 777 46 45

BTW

BE 0455.580.690

IBAN

BE73 4086 0477 5160

HRC

D-55255

INTERNET

WWW.AM-PUMPS.COM

E-MAIL

INFO@AM-PUMPS.COM