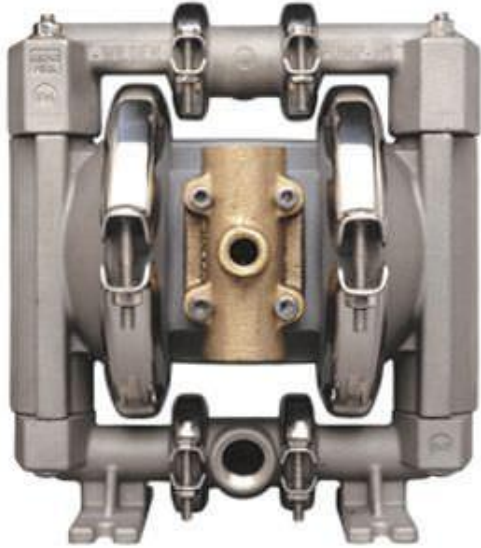


WILDEN PUMP T1

1/2" METAL



MAX FLOW RATE: 55 LPM (14.5 GPM)

MAX PRESSURE: 8.6 BAR (125 PSI)

MAX SUCTION LIFT CAPABILITY:

1.22 m (4') Dry, 9.14 m (30') Wet

MAX DIAMETER SOLIDS:

1.6 mm (1/16")

WETTED HOUSINGS

Material
Aluminum

Ship Wt
6 kg (13 lbs)

NON-WETTED HOUSINGS

Description
Center Section
Air Valve

Material
Aluminum
Brass

ELASTOMER OPTIONS

Buna-N® -12.2 (+10) to +82.2 (+180) °C (F°)

EPDM™ -51.1 (-60) to +137.8 (+280) °C (F°)

Polyurethane -12.2 (+10) to +65.6 (+150) °C (F°)

Saniflex™ -28.9 (+20) to +104.4 (+220) °C (F°)

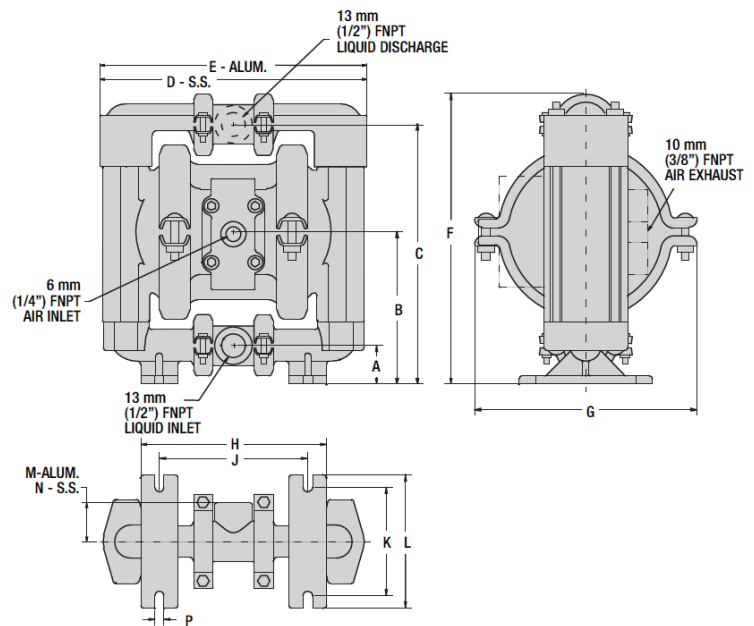
PTFE +4.4 (+40) to +104.4 (+220) °C (F°)

Viton® -40 (-40) to +176.7 (+350) °C (F°)

Wil-Flex™ -40 (-40) to +107.2 (+225) °C (F°)

DIMENSIONS

ITEM	METRIC (mm)	STANDARD (inch)
A	28	1.1
B	117	4.6
C	198	7.8
D	203	8.0
E	208	8.2
F	224	8.8
G	175	6.9
H	140	5.5
J	112	4.4
K	84	3.3
L	102	4.0
M	30	1.2
N	30	1.2
P	8	0.3



HOLLAND AIR PUMPS BV

De Scheper 260
NL 5688 HP OIRSCHOT
THE NETHERLANDS

PHONE

+31 (0)499 551 000

FAX

+31 (0)499 551 005

VAT

NL8033.13.123.B01

ING-BANK ACC

NL79 INGB 068 29 36 022

ONLINE

WWW.HOLLANDAIRPUMPS.NL
INFO@HOLLANDAIRPUMPS.NL

CHAMBER OF COMMERCE

ROTTERDAM 24.252.831